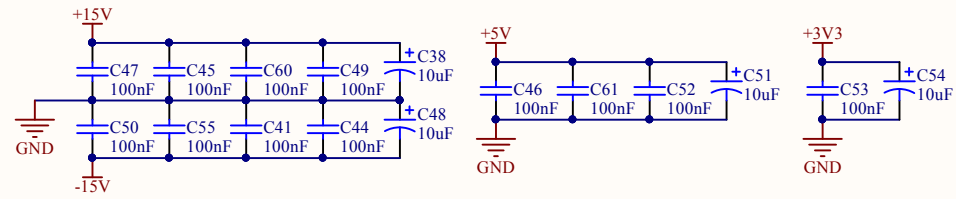
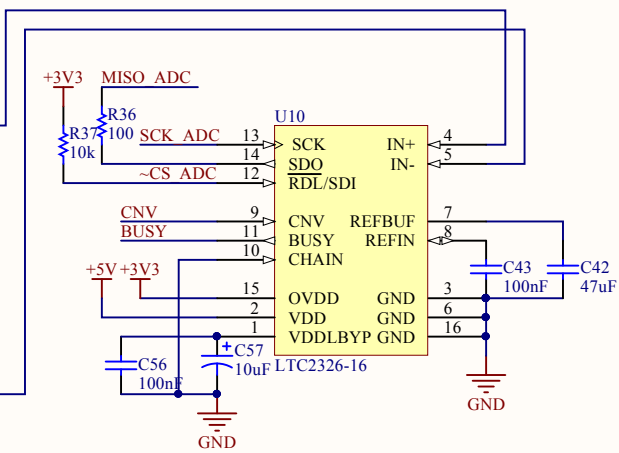
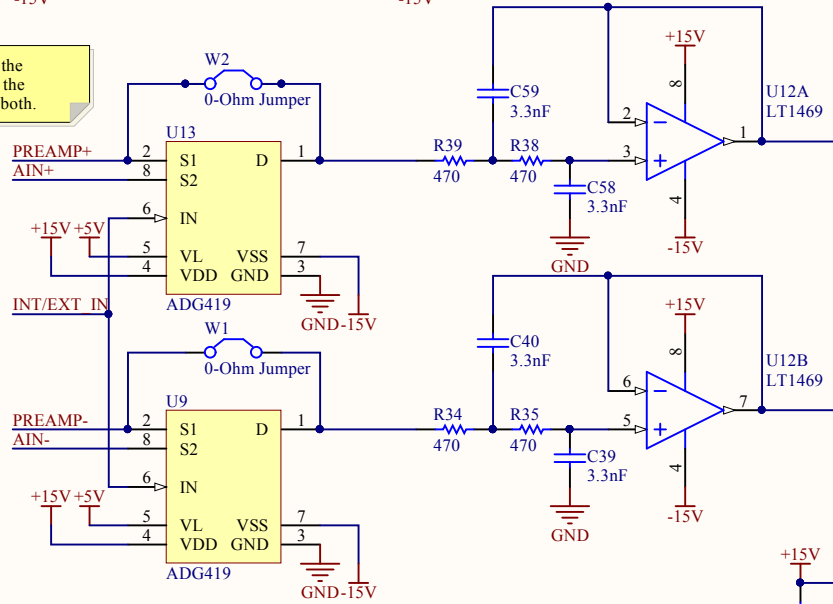
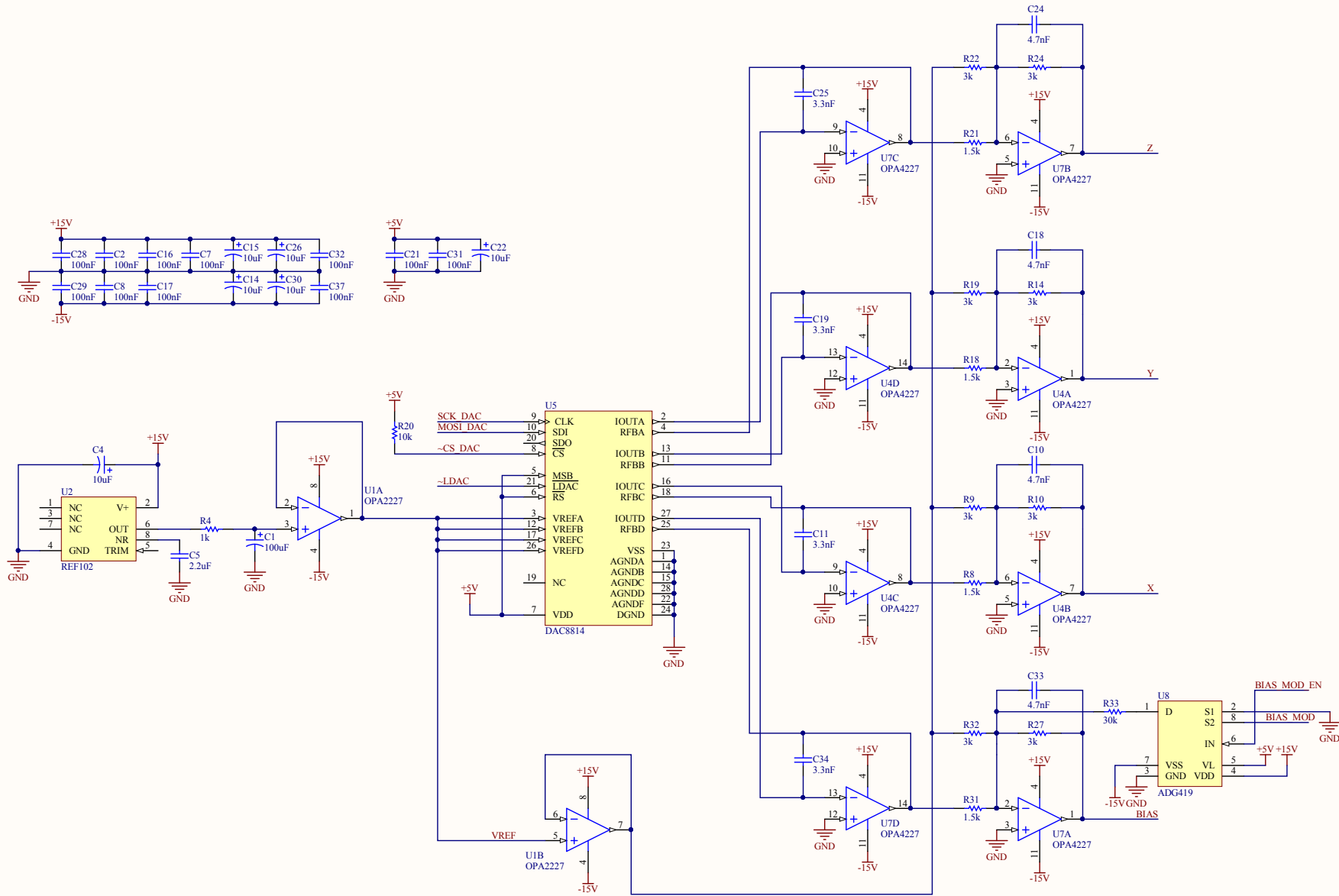


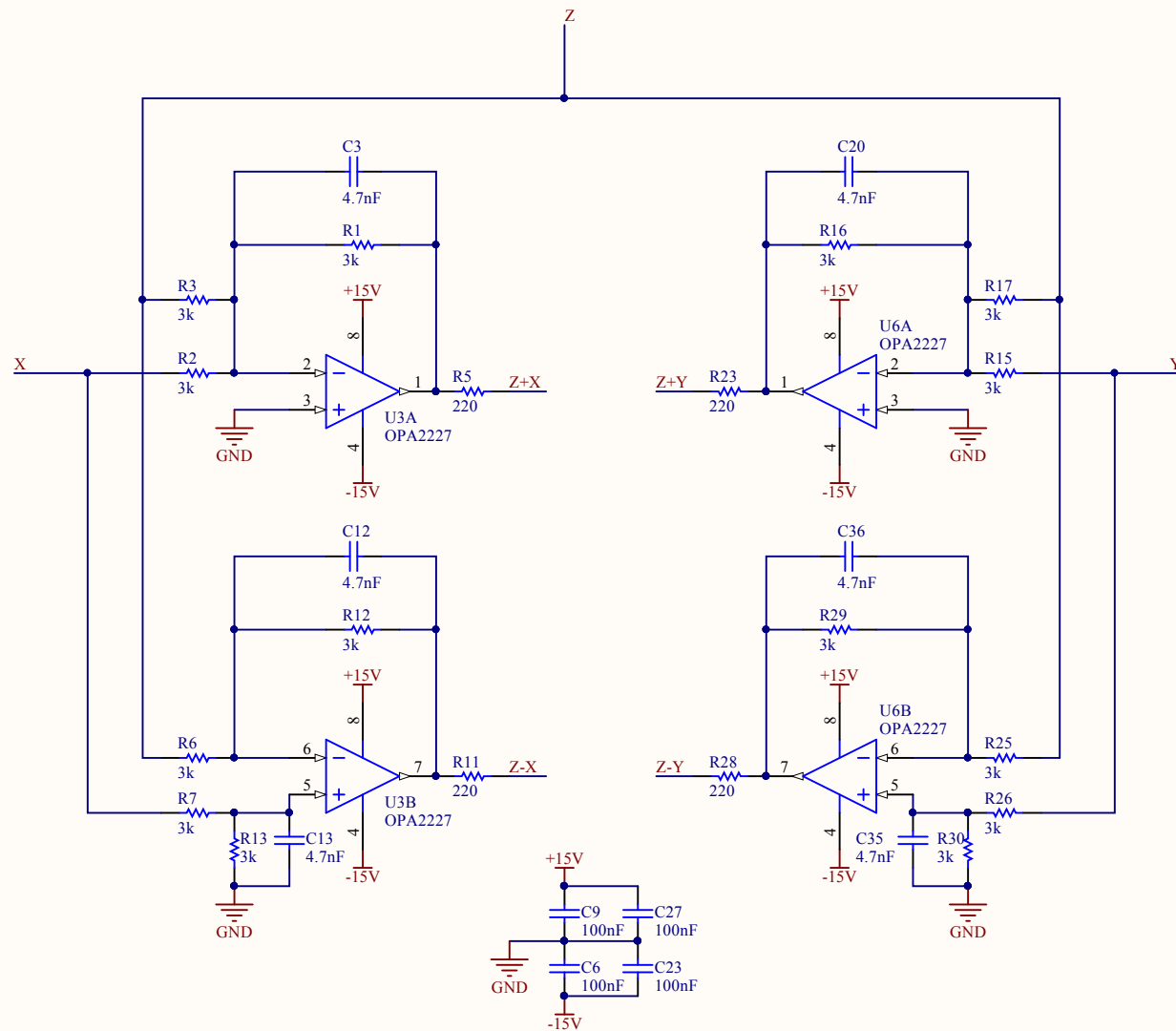
Install either the ADG419s or the jumpers, not both.



Title Data acquisition		
Size: A4	Number: 1	Revision: 1
Date: 20/06/2015	Time: 11:11:08 PM Sheet 1 of 4	
File: C:\Users\Public\Documents\Altium\Projects\STM_Analog\ADC.SchDoc		

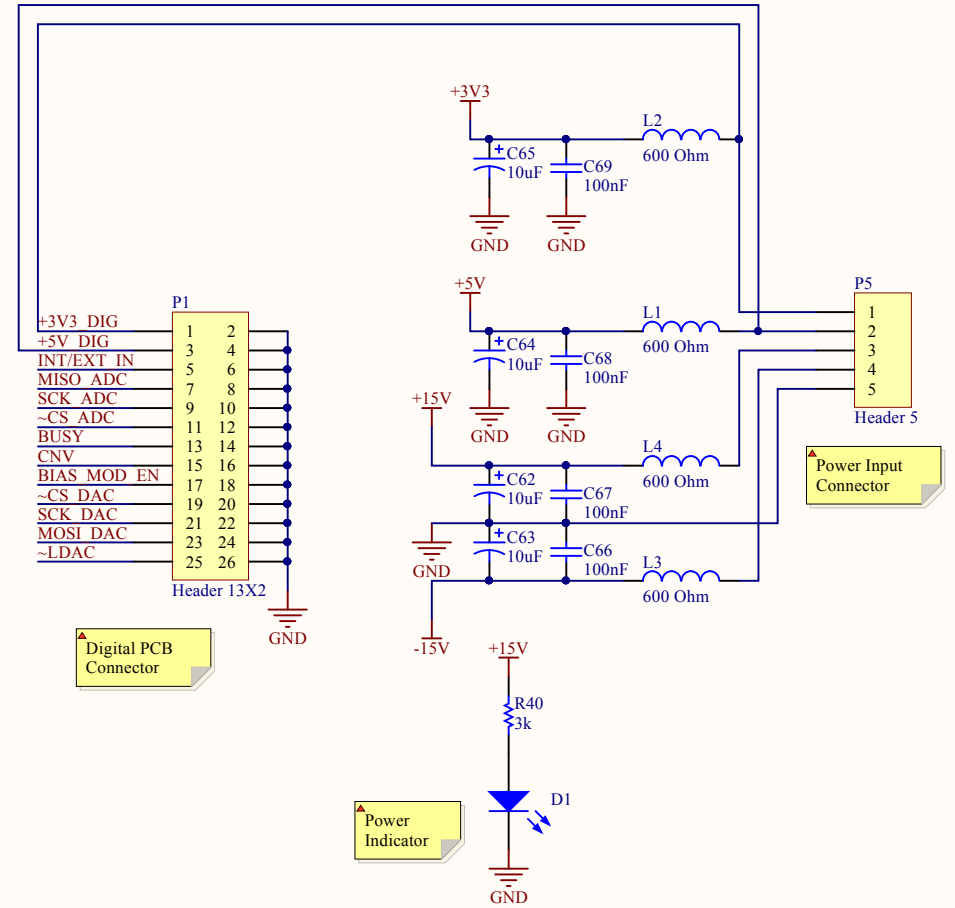
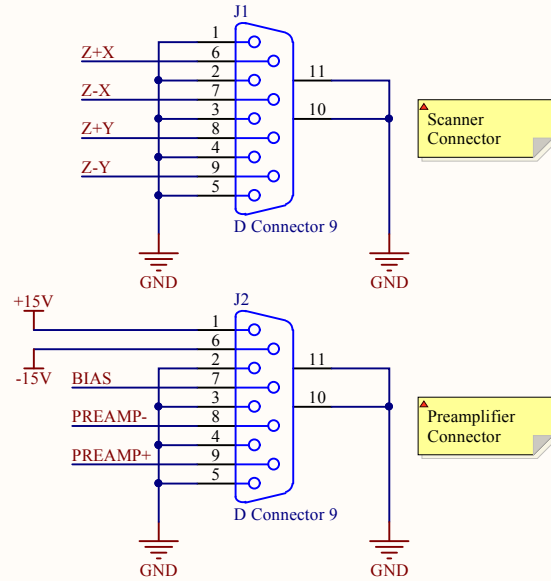
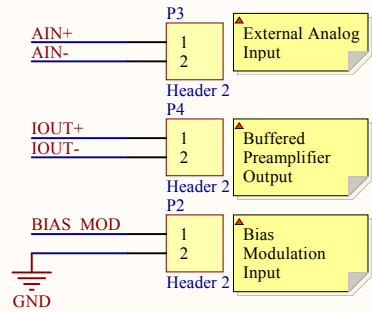






Title Piezo driver		
Size: A4	Number:3	Revision:1
Date: 20/06/2015	Time: 11:11:09 PM Sheet3 of 4	
File: C:\Users\Public\Documents\Altium\Projects\STM_Analog\Piezo Driver.SchDoc		





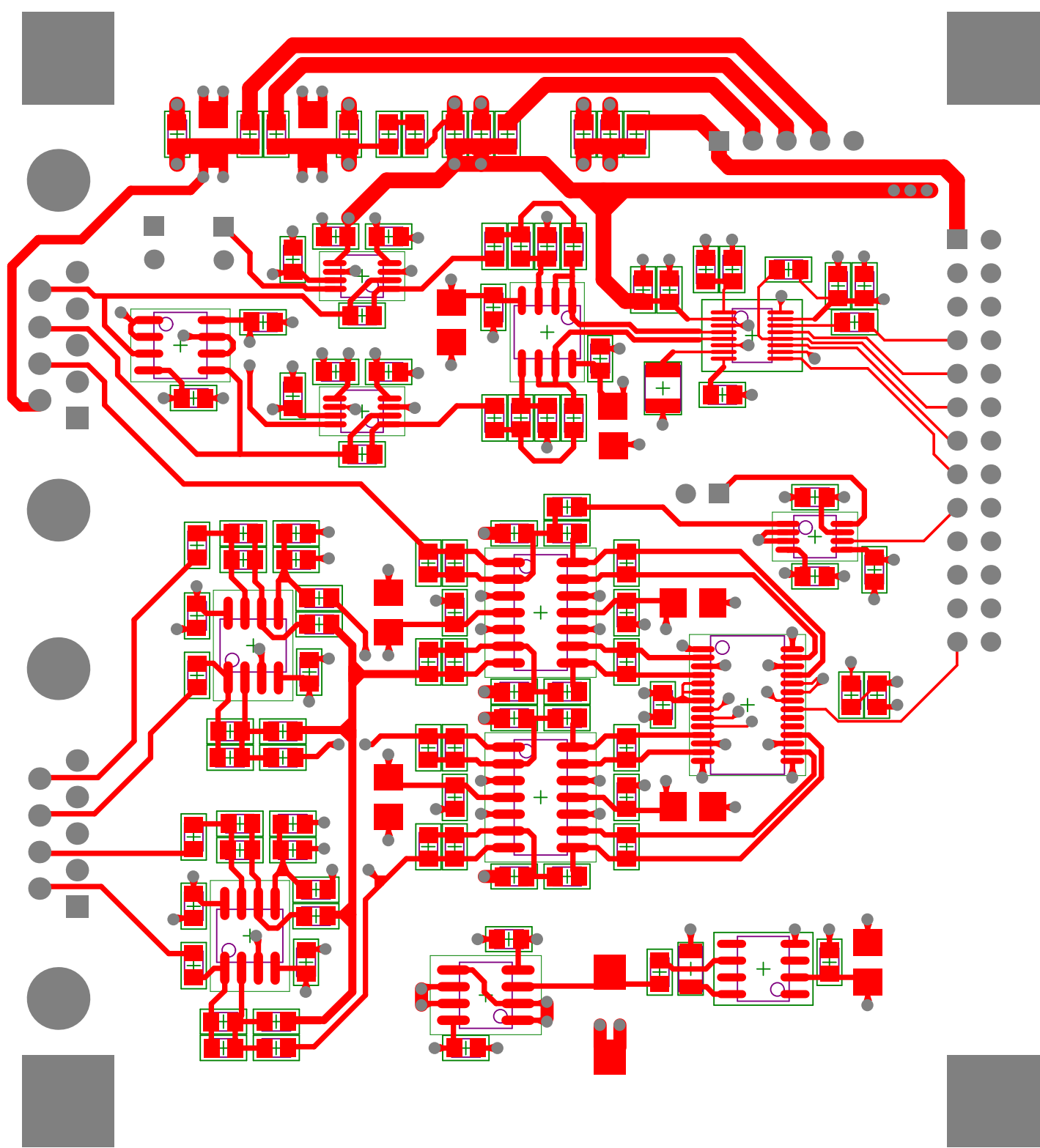
Title **Connectors and power filtering**

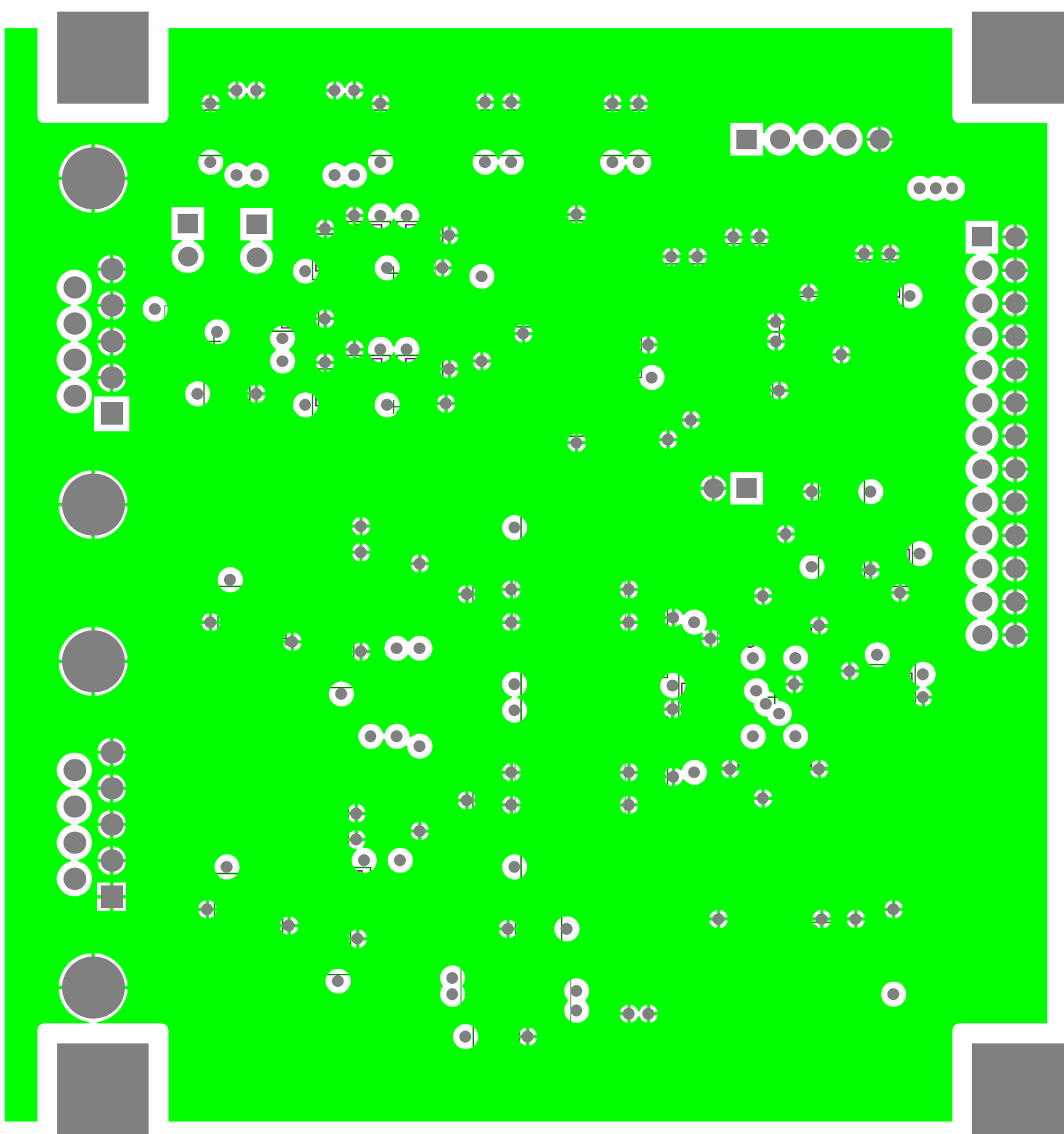
Size: A4 Number: 4 Revision: 1

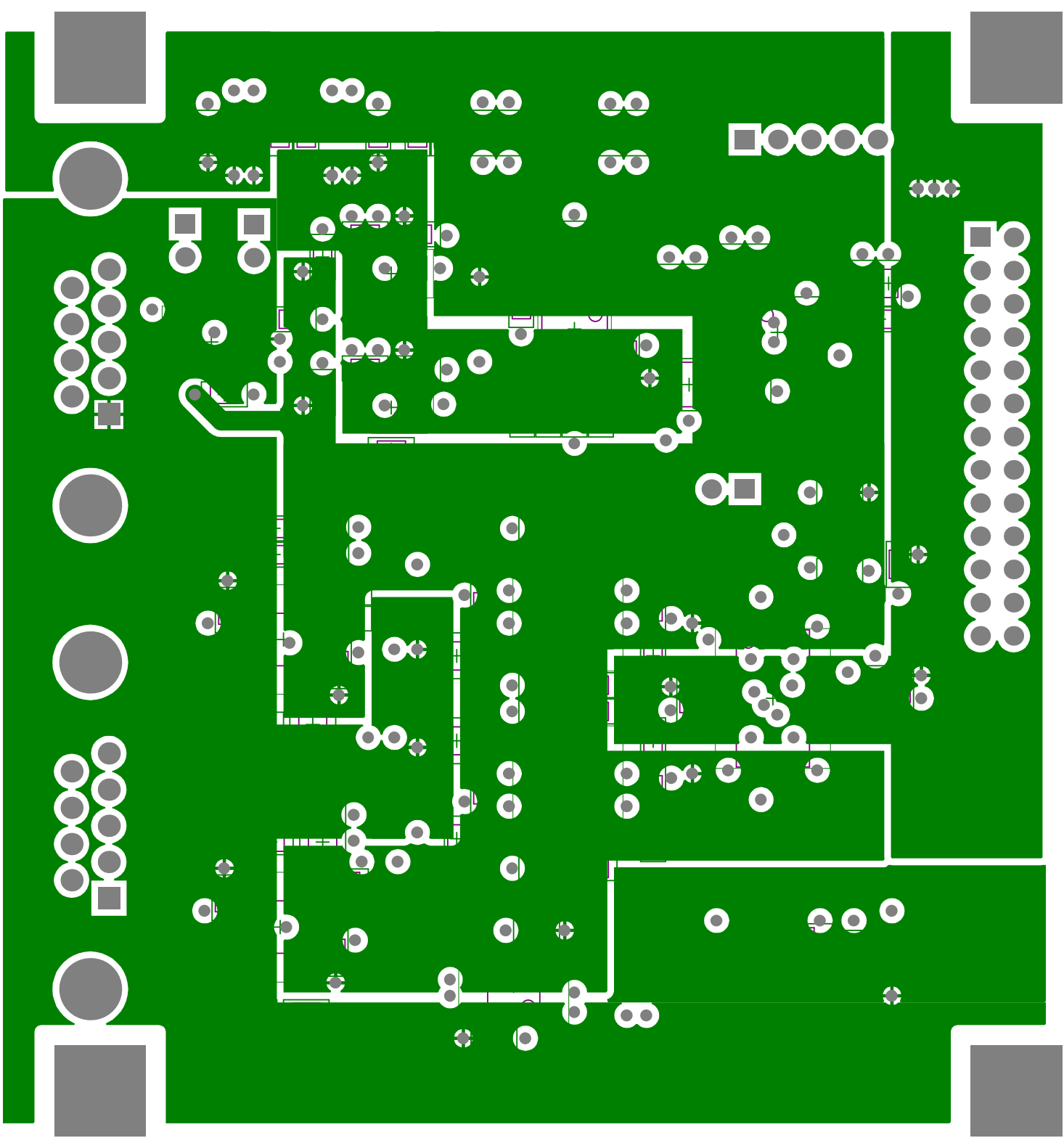
Date: 20/06/2015 Time: 11:11:09 PM Sheet 4 of 4

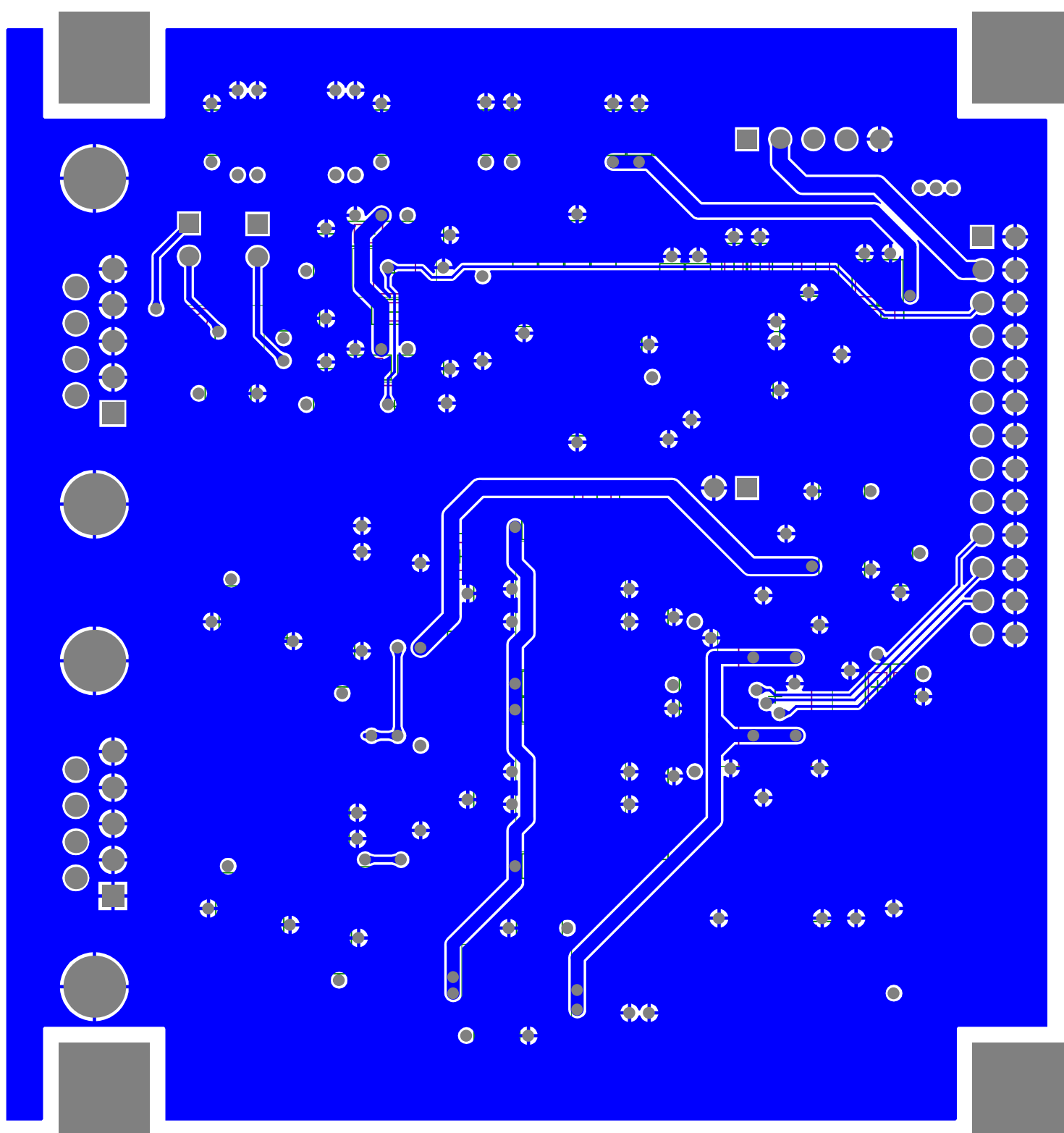
File: C:\Users\Public\Documents\Altium\Projects\STM_Analog\Connectors.SchDoc

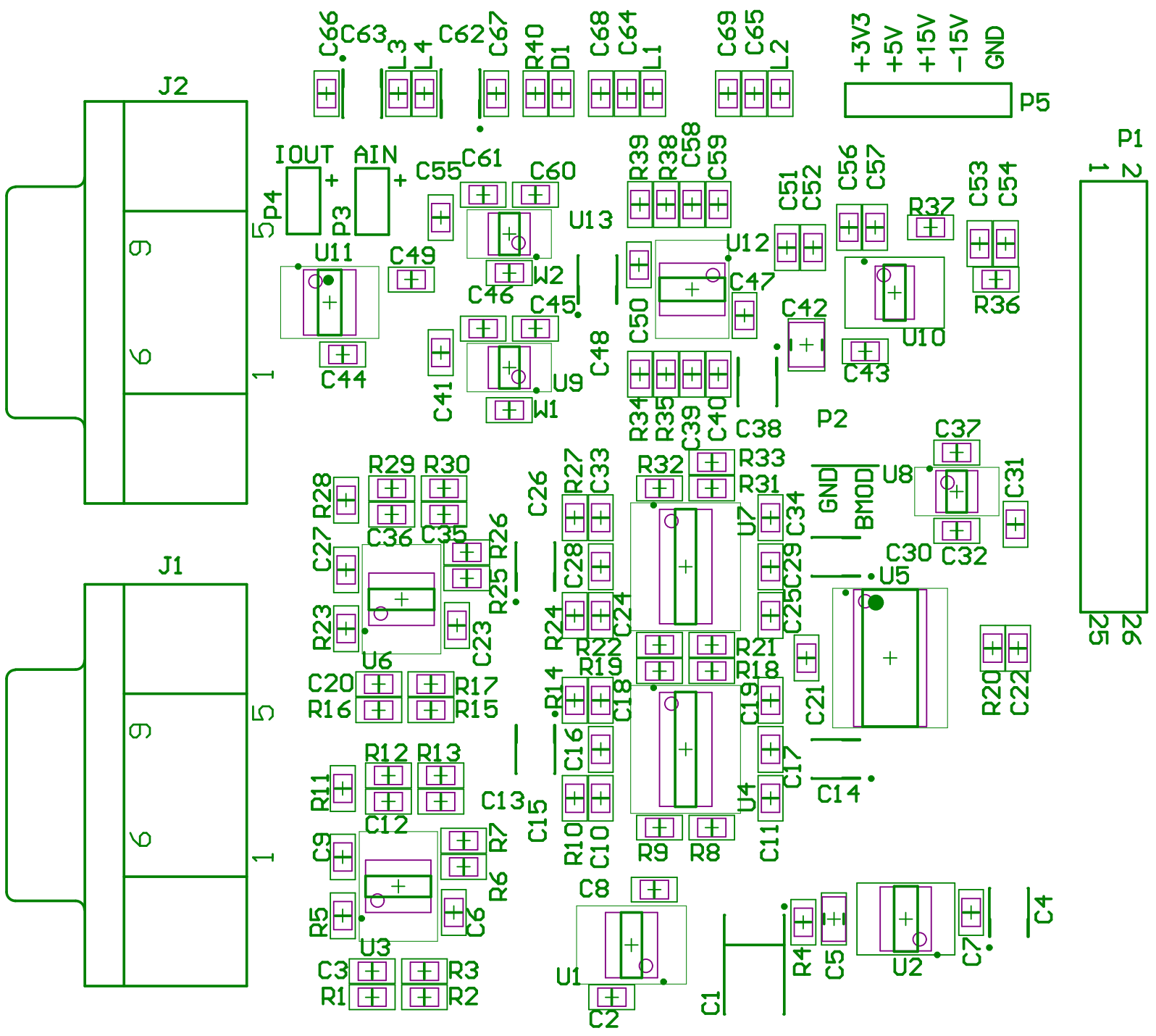












STM Analog v1.0 Dan Bernard 2015

Bill of Materials

Bill of Materials For Project [STM_Analog.PrjPcb] (No PCB Document Selected)

Source Data From: STM_Analog.PrjPcb
 Project: STM_Analog.PrjPcb
 Variant: None

Creation Date: 20/06/2015 11:11:17 PM
 Print Date: 20-Jun-15 11:11:37 PM

Footprint	Comment	LibRef	Designator	Description	Quantity
7343	100uF	Cap Pol1	C1	Polarized Capacitor (Radial)	1
6-0805_N	100nF	Cap	C2, C6, C7, C8, C9, C16, C17, C21, C23, C27, C28, C29, C31, C32, C37, C41, C43, C44, C45, C46, C47, C49, C50, C52, C53, C55, C56, C60, C61, C66, C67, C68, C69	Capacitor	33
6-0805_N	4.7nF	Cap	C3, C10, C12, C13, C18, C20, C24, C33, C35, C36	Capacitor	10
3528	10uF	Cap Pol1	C4, C14, C15, C26, C30, C38, C48, C62, C63	Polarized Capacitor (Radial)	9
C1206	2.2uF	Cap	C5	Capacitor	1
6-0805_N	3.3nF	Cap	C11, C19, C25, C34, C39, C40, C58, C59	Capacitor	8
6-0805_N	10uF	Cap Pol1	C22, C51, C54, C57, C64, C65	Polarized Capacitor (Radial)	6
C1210	47uF	Cap	C42	Capacitor	1
6-0805_N		LED0	D1	Typical INFRARED GaAs LED	1
DSUB1.385-2H9	D Connector 9	D Connector 9	J1, J2	Receptacle Assembly, 9 Position, Right Angle	2
6-0805_N	600 Ohm	Inductor	L1, L2, L3, L4	Inductor	4
HDR2X13	Header 13X2	Header 13X2	P1	Header, 13-Pin, Dual row	1
HDR1X2	Header 2	Header 2	P2, P3, P4	Header, 2-Pin	3
HDR1X5	Header 5	Header 5	P5	Header, 5-Pin	1
6-0805_N	3k	Res1	R1, R2, R3, R6, R7, R9, R10, R12, R13, R14, R15, R16, R17, R19, R22, R24, R25, R26, R27, R29, R30, R32, R40	Resistor	23
6-0805_N	1k	Res1	R4	Resistor	1
6-0805_N	220	Res1	R5, R11, R23, R28	Resistor	4
6-0805_N	1.5k	Res1	R8, R18, R21, R31	Resistor	4
6-0805_N	10k	Res1	R20, R37	Resistor	2
6-0805_N	30k	Res1	R33	Resistor	1
6-0805_N	470	Res1	R34, R35, R38, R39	Resistor	4
6-0805_N	100	Res1	R36	Resistor	1
ADI-R-8_M	OPA2227	CMP-0384-01147-2	U1, U3, U6	Double Channel Wide Bandwidth Operational Amplifier, 10 MHz BW, 2.5 V/us SR, Industrial, 8-pin SOIC (R-8), Tube	3
182H_N	REF102	REF102AU	U2	Precision Voltage Reference	1
TI-D14_M	OPA4227	CMP-0272-00152-2	U4, U7	High Precision, Low Noise Operational Amplifier, 5 to 36 V, -40 to 85 degC, 14-pin SOIC (D14), Green (RoHS & no Sb/Br)	2
TI-DB28_L	DAC8814	CMP-0004-00286-1	U5	16-Bit, Quad, Serial Input Multiplying Digital to Analog Converter, -40 to 85 degC, 28-pin SOP (DB28), Green (RoHS & no Sb/Br)	1
ADI-RM-8_N	ADG419	CMP-0792-00196-1	U8, U9, U13	LC2MOS Precision Mini-DIP Analog Switches, 25 Ohm Ron, 8-pin SOP (RM-8), Tube	3
MSOP-16	LTC2326-16	LTC2326-16	U10		1
TI-D8_N	OPA2227	CMP-0272-00267-2	U11	High Precision, Low Noise Operational Amplifier, 5 to 36 V, -40 to 85 degC, 8-pin SOIC (D8), Green (RoHS & no Sb/Br)	1
LT-S8-8_N	LT1469	CMP-0359-02956-2	U12	Dual Channel, 16-Bit Accurate Operational Amplifier, 200 MHz Typical GBW, 30 V/us Typical SR, 10 to 36 V, 8-Pin SOIC (S8-8), Commercial, Pb-Free	1
6-0805_N	0-Ohm Jumper	Jumper	W1, W2	Jumper Wire	2
					136

Approved	Notes